

OUTPUT**Frequency**

100 MHz

Level

+13 dBm ±2 dB into 50 ohms

G*: +13 dBm ±3 dB into 50 ohms

STABILITY**Aging (typical)**1 x 10⁻⁶ per year after 30 days operating5 x 10⁻⁷ second year3 x 10⁻⁷ per year, thereafter**Phase Noise L(f), Static**

	Standard	Premium
100 Hz	-125 dBc/Hz	-130 dBc/Hz
1 kHz	-150 dBc/Hz	-155 dBc/Hz
10 kHz	-165 dBc/Hz	-168 dBc/Hz
100 kHz	-165 dBc/Hz	-170 dBc/Hz

Temperature StabilityE: ±5 x 10⁻⁷, 0° to +50°C (Ref +25°C)F: ±2 x 10⁻⁶, -20 to +70°C (Ref +25°C)G*: ±5 x 10⁻⁶, -55° to +85°C (Ref +25°C)**Harmonics**

≤ -30 dBc

Spurious

≤ -80 dBc, excluding power supply line related spurs

MECHANICAL**Dimensions**

2.4 x 1.50 x 0.75"

Connectors

SMA(f) and solder pins on side

Packaging

Nickel-plated machined aluminum case

Weight

< 2 ounces

POWER REQUIREMENTS**Warm-Up Power**

≤ 5 Watts for less than 3 minutes at +25°C

G*: ≤ 6 Watts for 5 minutes at +25°C

Total Power

≤ 2.5 Watts at +25°C

G*: ≤ 3 Watts at +25°C

Supply Voltage

+15 VDC ±5% or +12 VDC ±5%

CRYSTAL**Type**

100 MHz SC-cut

ENVIRONMENTAL**Acceleration Sensitivity**

Select desired sensitivity

5: 5e-10 per g, per axis typical

3: 3e-10 per g, per axis guaranteed

2: 2e-10 per g, per axis guaranteed

Random Vibration - Test Profile

0.05 g2 /Hz, 10 to 2000 Hz

Shock

40G, 35 msec, sawtooth pulse

Operating Temperature

-40° to +71°C

OTHER**Test Data**

Output level

Phase noise, static

Phase noise under vibration plot

G-sensitivity in 3 axes at 100 Hz

Temperature stability

Harmonics, Spurious

Power – Warm-up and Total

REV	DATE	REVISION RECORD	DWN	AUTH
-	02-10-14	Initial Release	PAC	

Ordering Options

-xx	G Sensitivity	Voltage	Phase Noise L(f)	Package	Temp (Ref +25 °C)
01	5	+15V	Standard	A	E
02	5	+15V	Standard	A	F
03	5	+15V	Standard	A	G
11	5	+15V	Premium	A	E
12	5	+15V	Premium	A	F
13	5	+15V	Premium	A	G
21	5	+12V	Standard	A	E
22	5	+12V	Standard	A	F
23	5	+12V	Standard	A	G
31	5	+12V	Premium	A	E
32	5	+12V	Premium	A	F
33	5	+12V	Premium	A	G
41	3	+15V	Standard	A	E
42	3	+15V	Standard	A	F
43	3	+15V	Standard	A	G
51	3	+15V	Premium	A	E
52	3	+15V	Premium	A	F
53	3	+15V	Premium	A	G
61	3	+12V	Standard	A	E
62	3	+12V	Standard	A	F
63	3	+12V	Standard	A	G
71	3	+12V	Premium	A	E
72	3	+12V	Premium	A	F
73	3	+12V	Premium	A	G
81	2	+15V	Standard	A	E
82	2	+15V	Standard	A	F
83	2	+15V	Standard	A	G
91	2	+12V	Standard	A	E
92	2	+12V	Standard	A	F
93	2	+12V	Standard	A	G

**Wenzel Associates, Inc.**

Austin, Texas

Title:

100 MHz-SC LG II Crystal Oscillator

P/N:

501-27552-xx

Rev:

-

Date:

02-10-14

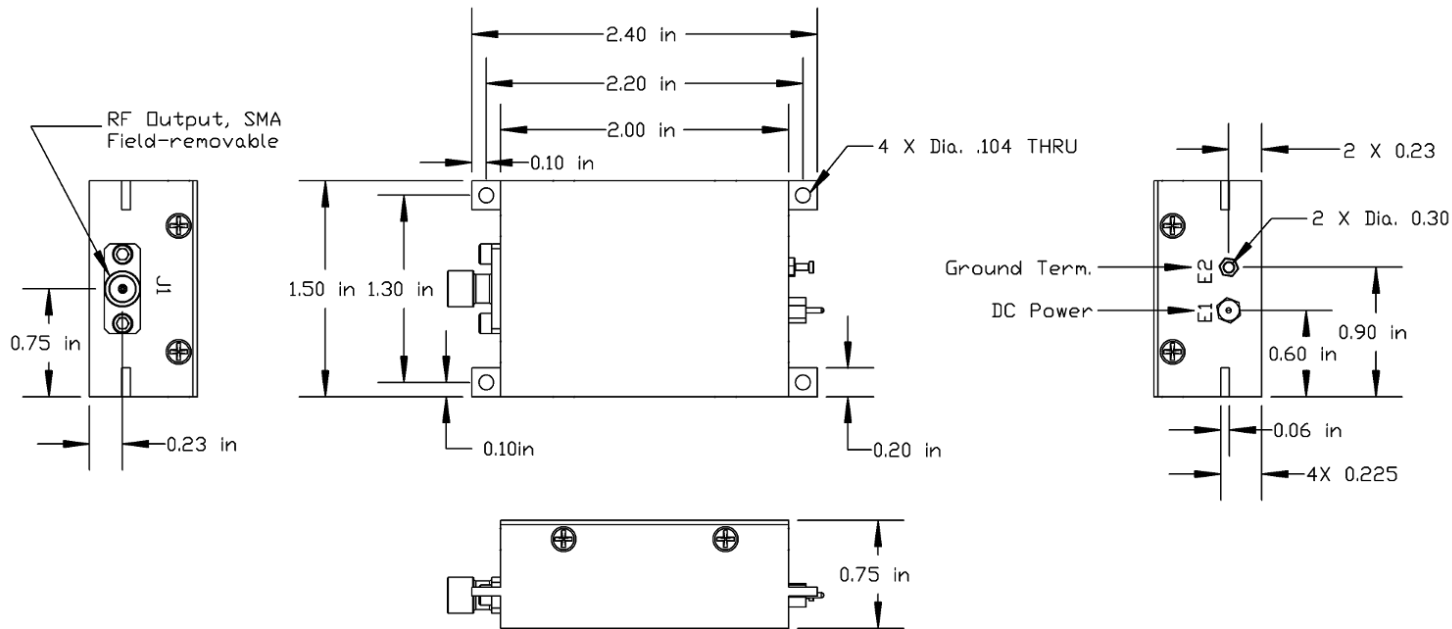
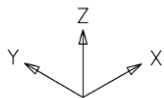
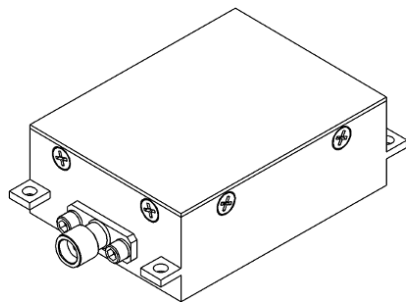
Drawn:

Ref:

Tolerances:
(except as noted)
Dimensions are in inches0.XX Dec:
±0.030"0.XXX Dec:
±0.010"FSCM:
62821

Page 1 of 2

Package A



Wenzel Associates, Inc.
Austin, Texas

Title:
100 MHz-SC LG II Crystal Oscillator

P/N: 501-27552-xx	Rev: -	Date: 02-10-14	Drawn:	Ref:
-----------------------------	-----------	--------------------------	--------	------

Tolerances: (except as noted) Dimensions are in inches	0.XX Dec: ±0.030"	0.XXX Dec: ±0.010"	FSCM: 62821	Page 2 of 2
--	-----------------------------	------------------------------	-----------------------	---------------------------