

04609 REV	DATE	REVISION RECORD	DWN	AUTH
-	03-20-96	Draft	BH	
A	11-27-96	Package	BH	

OUTPUT

Frequency

10 MHz

Level

+13 ±2dBm into 50 ohms

STABILITY

Aging

5 x 10⁻¹⁰ per day

after 30 days operating, typical

Phase Noise L(f)

10 Hz -130 dBc/Hz

100 Hz -155 dBc/Hz

1 kHz -165 dBc/Hz

10 kHz -165 dBc/Hz

Temperature Stability

±5 x 10⁻⁹, 0° to +50°C (Ref +25°C)

MECHANICAL

Dimensions

2 x 2 x 1"

Connectors

SMA and feedthru capacitor

Packaging

Sealed steel can

POWER REQUIREMENTS

Warm-Up Power

<5 Watts for 5 minutes

Total Power

<2.2 Watts at +25°C

Supply Voltage

+15 VDC

ADJUSTMENT

Mechanical Tuning

±1 x 10⁻⁶

Electrical Tuning

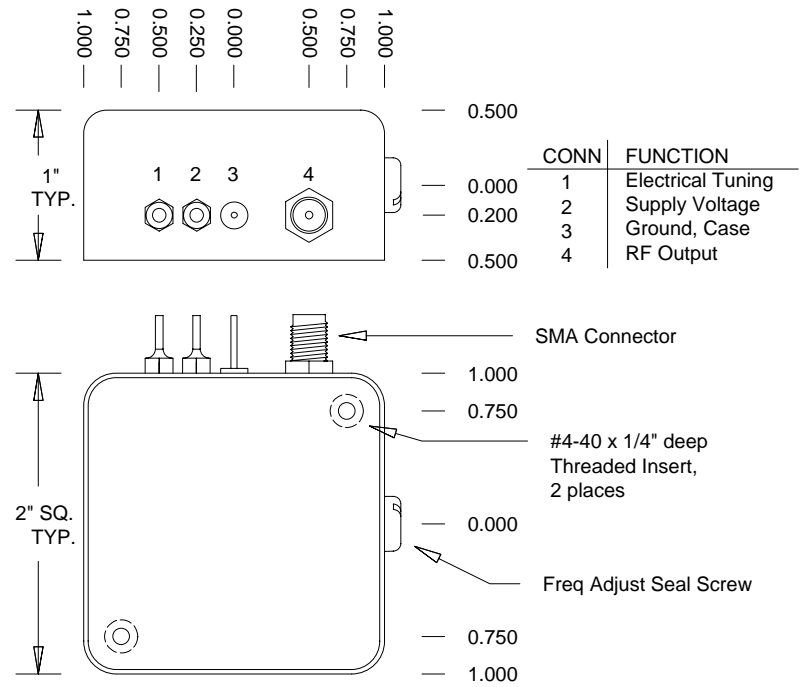
±2 x 10⁻⁷, ±5 VDC

Negative slope

CRYSTAL

Type

10 MHz SC-cut



Connector numbers are for reference only, they are not marked on unit.



Wenzel Associates, Inc.

Austin, Texas

Title:

Premium 10 MHz-SC Streamline Crystal Oscillator

P/N:

501-04609

Rev:

A

Date:

11-27-96

Drawn:

Ref:

Tolerances:
(except as noted)
Dimensions are in inches

0.XX Dec:

±0.030"

0.XXX Dec:

±0.010"

FSCM:

62821

Page 1 of 1