

| REV | DATE | REVISION RECORD | DWN | AUTH |
|-----|----------|-----------------|-----|------|
| - | 05-14-07 | Draft | BH | GP |
| | | | | |
| | | | | |

OUTPUT

Frequency

100 MHz

Level

+20 dBm +2.5, -1.0 dB into 50 ohms,
DC blocked

STABILITY

Aging

$\pm 1.0 \times 10^{-6}$ /year, year 1 and 2

$\pm 5 \times 10^{-6}$ /year, typical thereafter

$< 25 \times 10^{-9}$ /day at time of shipment

Phase Noise L(f)

100 Hz ≤ -100 dBc

1 kHz ≤ -130 dBc

10 kHz ≤ -160 dBc

100 kHz ≤ -170 dBc

Harmonics

f(100 MHz): +20 dBm

f(200 MHz): <10 dBm

f(300 MHz): <10 dBm

f(400 MHz): <10 dBm

f(500 MHz): <+8 dBm, >-5 dBm

f(>2 GHz): <-50 dBm

Spurious

Tested to -80 dBc, guaranteed to <- 95 dBc at any offset greater than 1 MHz

Temperature Stability

$\pm 1 \times 10^{-6}$, +20° to +50°C

MECHANICAL

Dimensions

2 x 2 x .75"

Connectors

100 MHz, SMA

DC Power and ET Filtered Feedthru

Packaging

Solder sealed steel can

POWER REQUIREMENTS

Warm-Up Power

6 Watts maximum for 3 minutes max

Total Power

4.8 Watts at +25°C

Supply Voltage

+12 VDC ± 5 VDC

ADJUSTMENT

Electrical Tuning

$\pm 3 \times 10^{-6}$, 0.5 to 4.5V, positive slope

CRYSTAL

Type

100 MHz AT-cut

Cable

3.50", AMP #641237-4

or equivalent

4 conductor 22 AWG

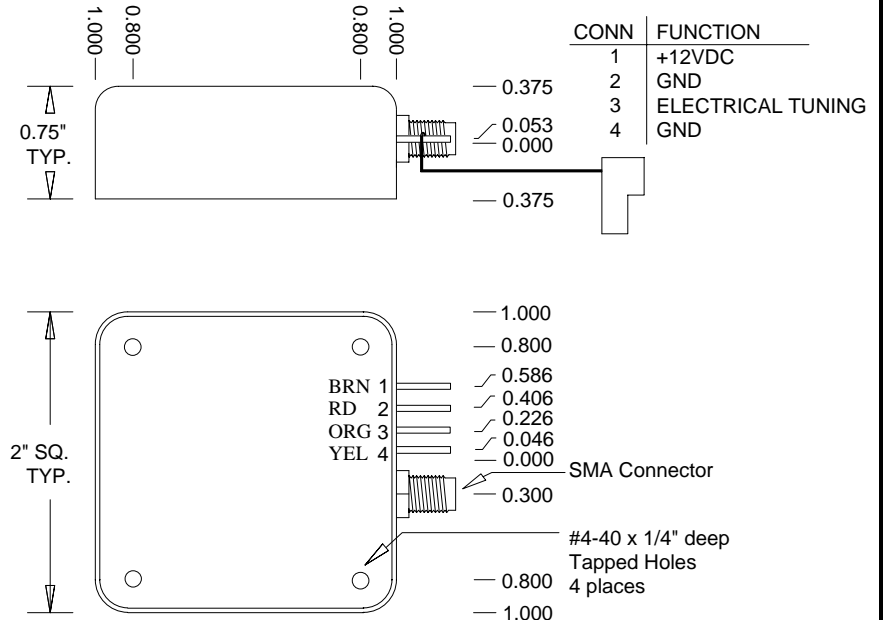
Connect and lightly solder cable wires to pins as follows:

Pin 1 = BRN


Pin 2 = RD

Pin 3 = ORG

Pin 4 = YEL



Connector numbers are for reference only, they are not marked on unit.

| | | | | |
|---|---|--|-----------------------|-------------|
|  Wenzel Associates, Inc. Austin, Texas | | | | |
| Title: | | | | |
| 100 MHz-AT Ovenized Crystal Oscillator | | | | |
| P/N: | Rev: | Date: | Drawn: | Ref: |
| 501-17585 | - | 05-11-07 | | |
| Tolerances: (except as noted) Dimensions are in inches | 0.XX Dec: ± 0.030" | 0.XXX Dec: ± 0.010" | FSCM: 62821 | Page 1 of 1 |